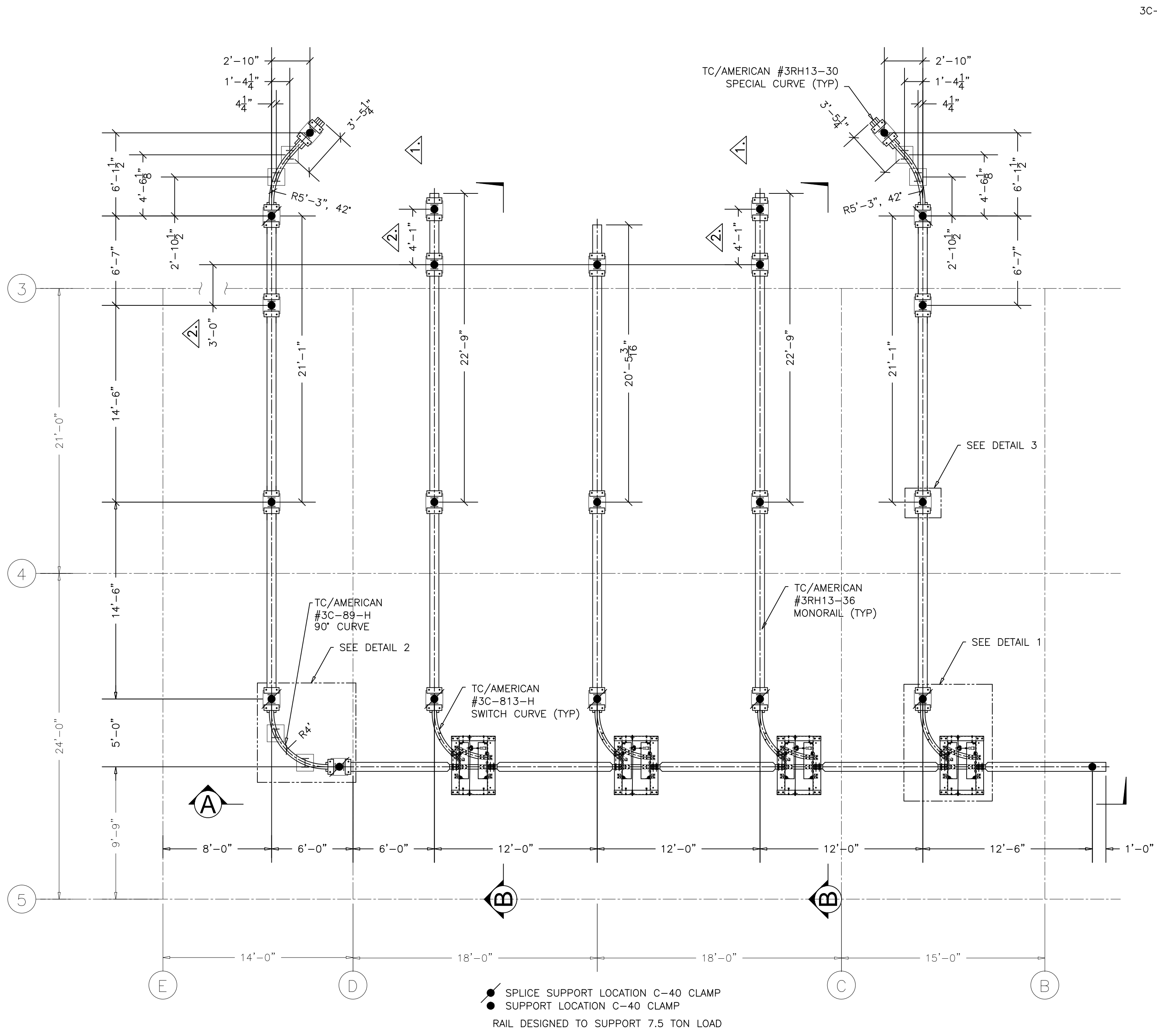
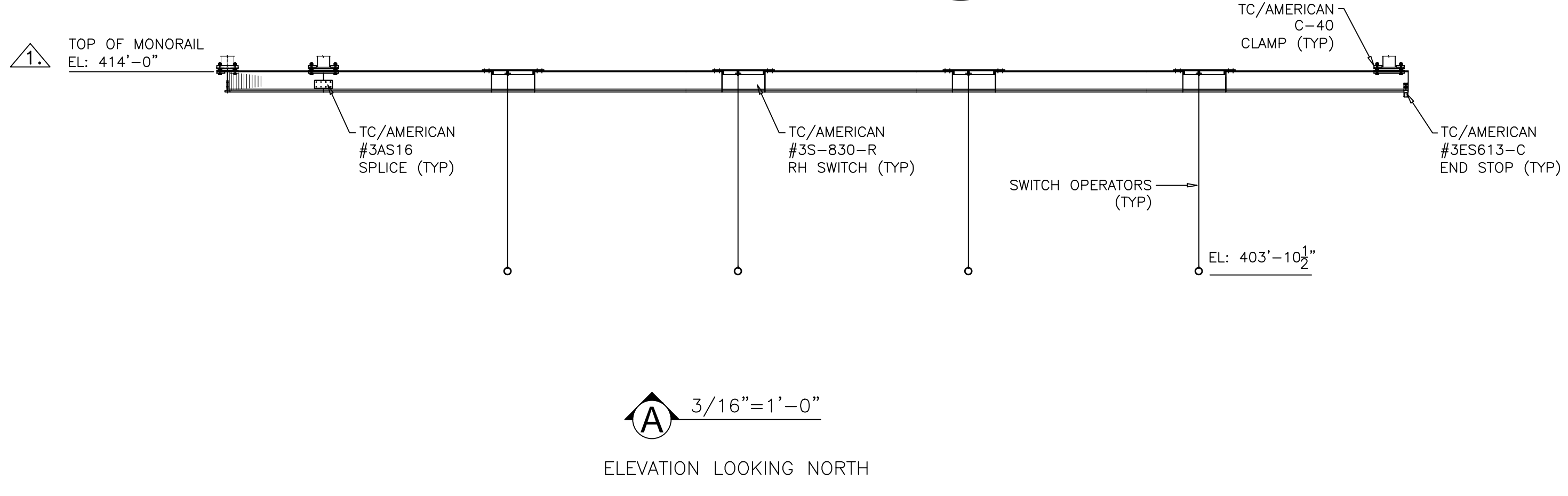


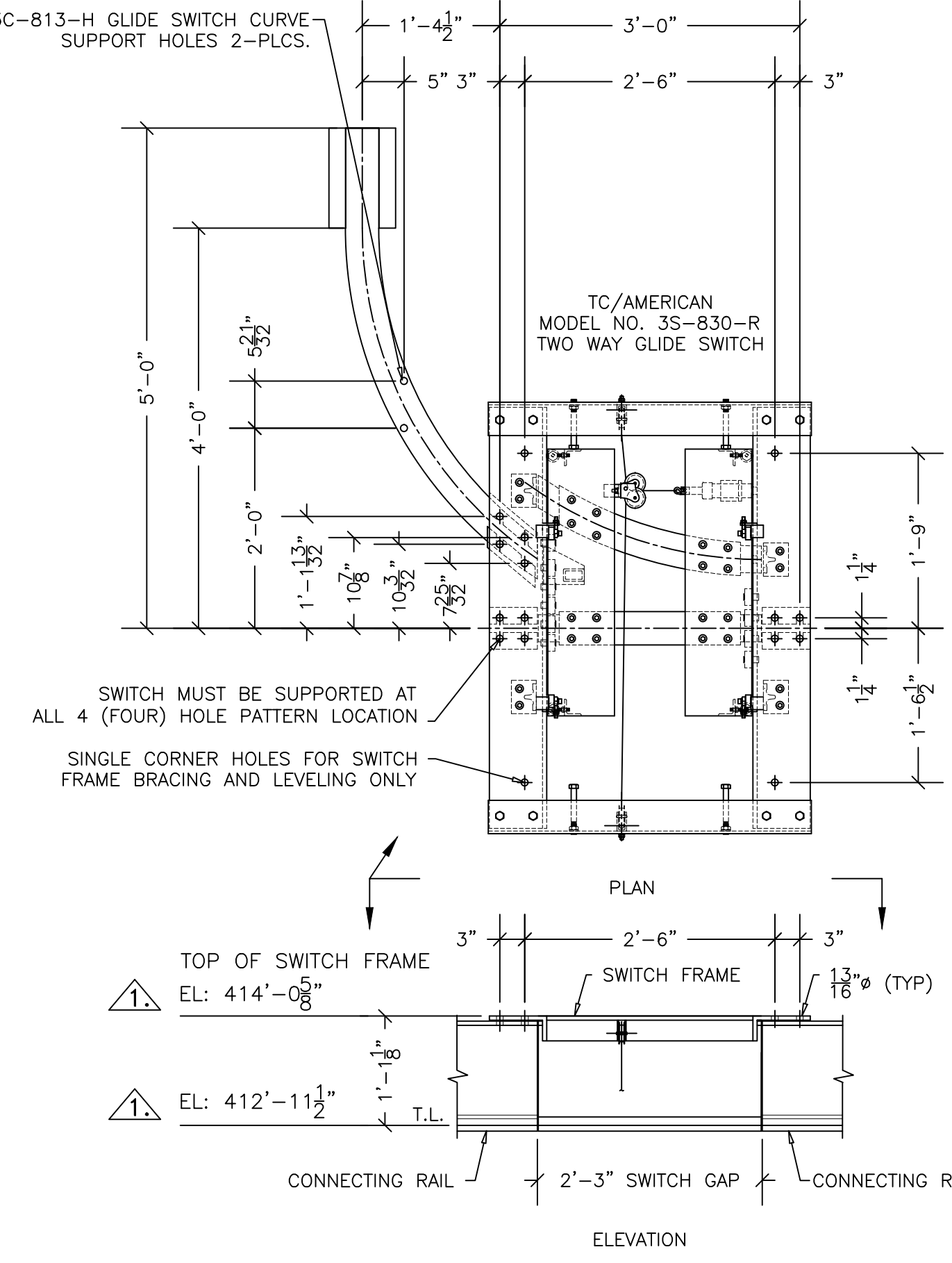
THIS DRAWING IS THE SOLE PROPERTY OF MASS CRANE AND HOIST. AND SHALL BE USED FOR INFORMATIONAL PURPOSES ONLY. ANY COPY OF THIS DRAWING OR THE INFORMATION WITHIN IT IS PROHIBITED FOR SALE OR MANUFACTURING WITHOUT THE WRITTEN CONSENT OF MASS CRANE AND HOIST.



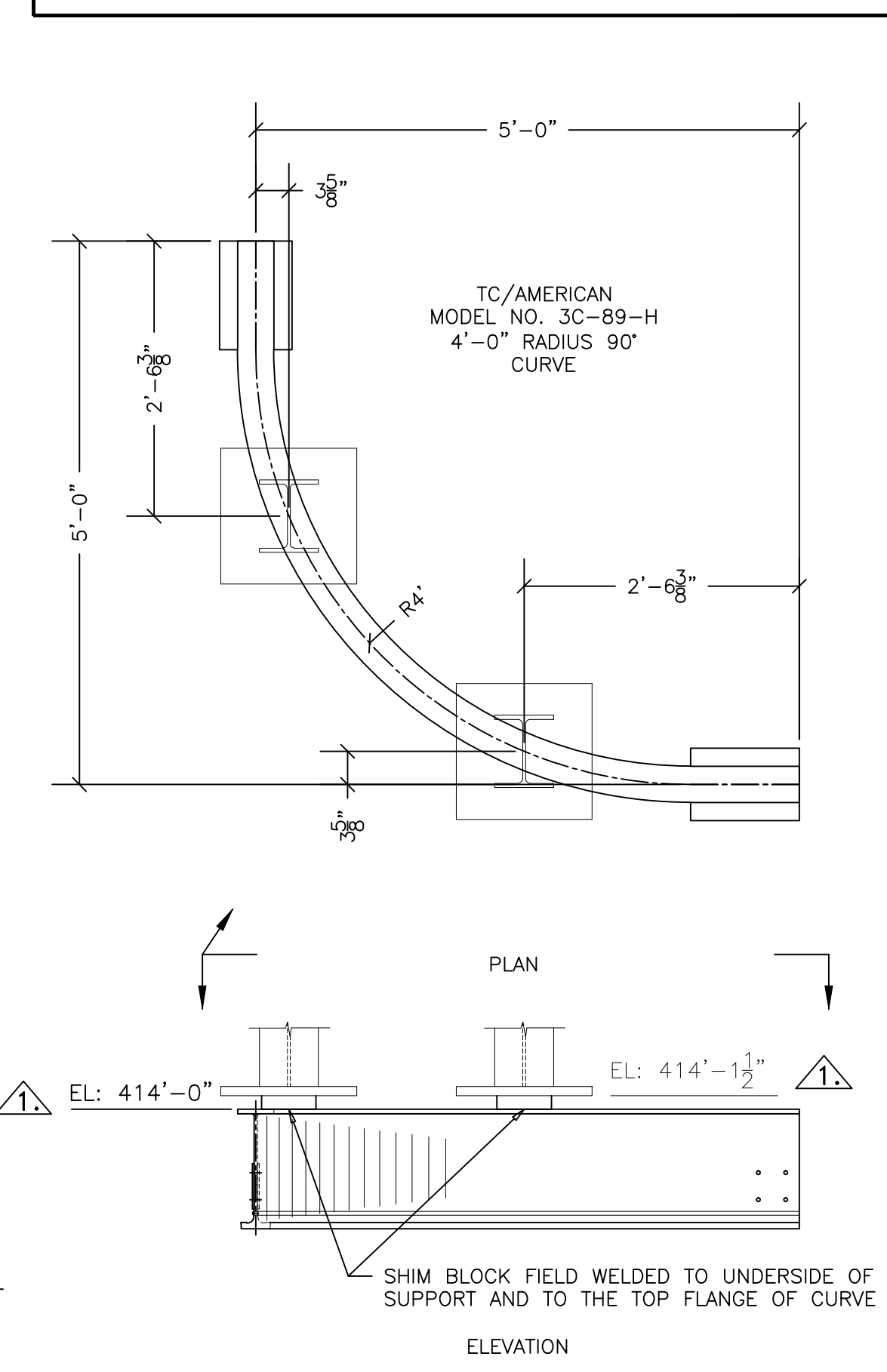
UNIT 4 MONORAIL PLAN
 $3/16" = 1'-0"$



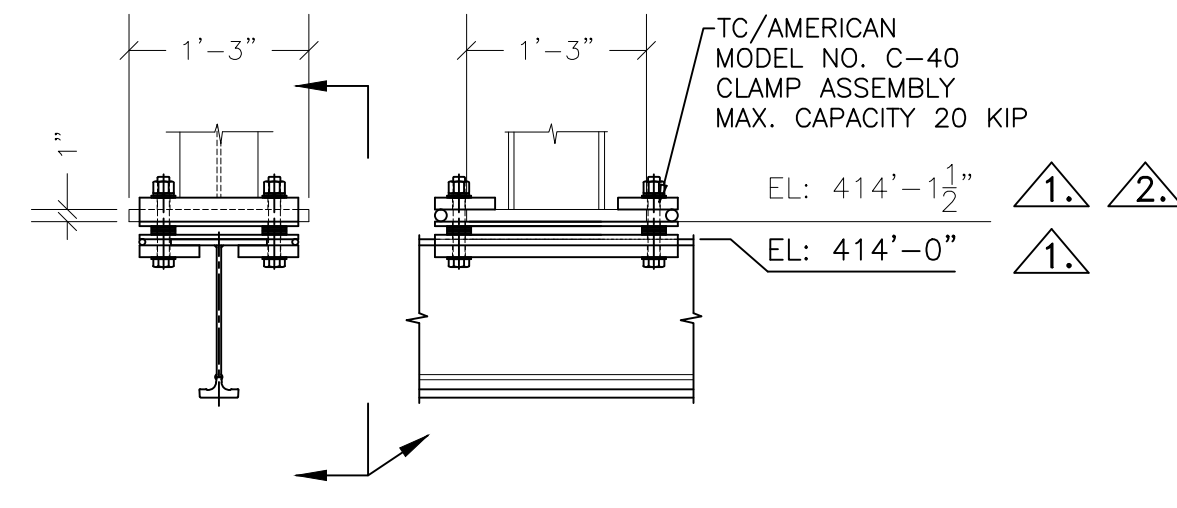
A $3/16" = 1'-0"$
 ELEVATION LOOKING NORTH



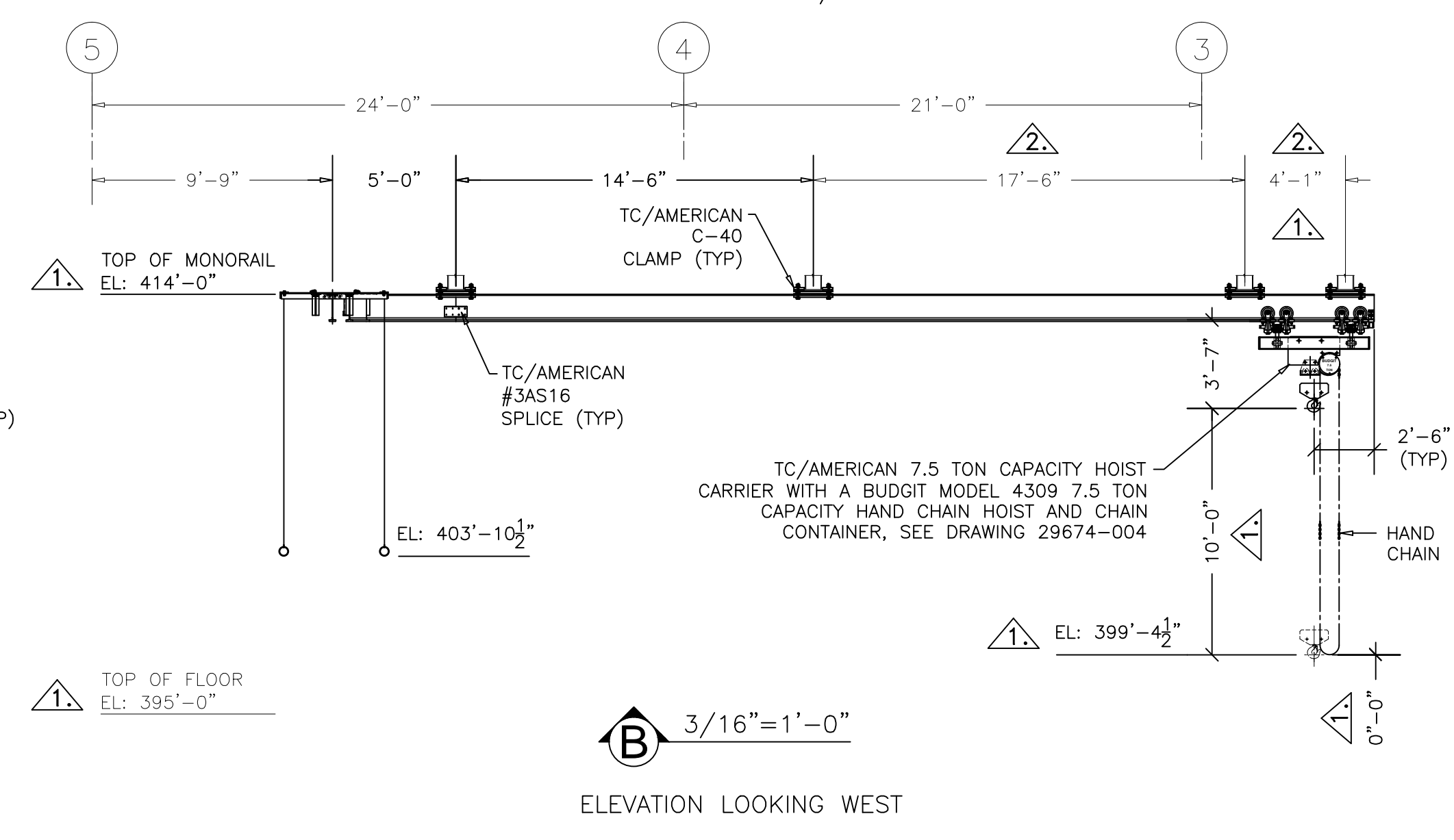
DETAIL 1
 $3/4" = 1'-0"$



DETAIL 2
 $3/4" = 1'-0"$



DETAIL 3
 $3/4" = 1'-0"$



B $3/16" = 1'-0"$
 ELEVATION LOOKING WEST

NO.	REVISION	DATE	DRAWN BY

New England Crane
 Crane Builders, Installers and Technicians
 Phone: (980) 450-0947 Fax: (201) 782-7355
 Visit us Online @ www.newenglandcrane.com

PROJECT:

DATE:
 DRAWN BY:
 DESIGNED BY:
 CHECKED BY:
 SCALE:
 JOB NUMBER:
 PURCHASE ORDER NO.:
 CONTRACT NO.:

DRAWING NUMBER